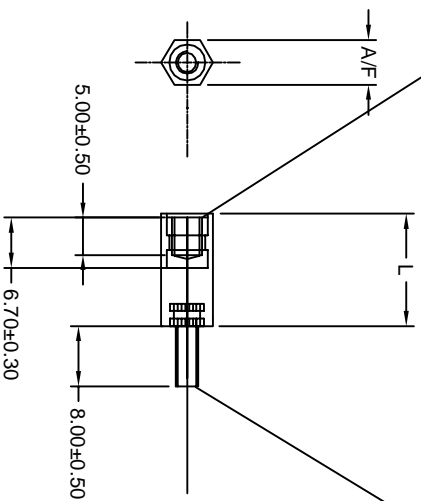


Brass Insert With M3 Tapping



MS Zink Plated Screw M3x8mm  
( M3X6MM & M3X10MM ARE ALSO AVAILABLE )

AVAILABLE SIZES

A/F	L	THREADING	PART CODE
6	15	M3	AEHS6315NS
6	20	M3	AEHS6320NS
6	25	M3	AEHS6325NS

<b>ANAND Enterprises</b>		TOLERANCE UNLESS OTHERWISE STATED		±0.2
HEAT TREATMENT	N.A			MM
MATERIAL	NYLON 6 BLACK	DATE	26.9.2016	QTY.
TITLE HEX SPACERS MOLDED WITH INSERTS		DRG.NO.	027	
SCALE 1:1		SHEET 1 OF 1		